

# SKF SONL, SNLN



## **Nieuwe huizen van SKF**

SONL huizen zijn bedoeld voor oliesmering en vervangen de vroegere huizen SOFN. De serie SN 30.. wordt vervangen door de moderne versie SNLN 30.. . Beide nieuwe series staan nog niet in de catalogi. Deze brochure is bedoeld als basis informatie totdat de betreffende catalogi zijn bijgewerkt.

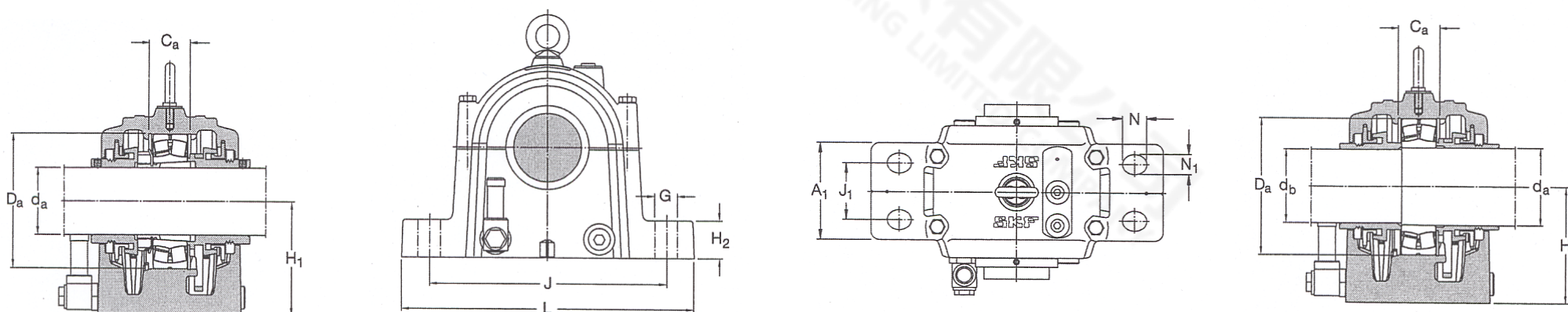


天津鼎盛晟瑞轴承有限公司  
TIANJIN DINGSHENGRUI BEARING LIMITED COMPANY

## SONL plummer block housings for bearings on adapter sleeve

Shaft $d_a$ [mm]	Housing Dimensions									Designation Housing	Seal 1 per housing	End Cover	Bearing seating		Appropriate bearings and associated components		
	$A_1$ [mm]	$H_1$ [mm]	$H_2$ [mm]	$J$ [mm]	$J_1$ [mm]	$L$ [mm]	$N$ [mm]	$N_1$ [mm]	$G$ [mm]				$C_a$ [mm]	$D_a$ [mm]	Spherical roller bearing CARB bearing	Adapter sleeve	Locating ring 2 per housing
75	110	125	35	260	60	330	28	22	20	SONL 217-517	TSO 517	ECO 217-517	46	150	22217 EK C 2217 K	H 317 H 317 E	FRB 5/150 FRB 5/150
80	120	135	45	290	70	360	28	22	20	SONL 218-518	TSO 518	ECO 218-518	50	160	22218 EK C 2218 K	H 318 H 318 E	FRB 5/160 FRB 5/160
90	130	145	50	320	75	400	32	26	24	SONL 220-520	TSO 520	ECO 220-520	60	180	22220 EK C 2220 K	H 320 H 320 E	FRB 7/180 FRB 7/180
100	145	160	50	347	75	420	32	26	24	SONL 222-522	TSO 522	ECO 222-522	71	200	22222 EK C 2222 K	H 322 H 322 E	FRB 9/200 FRB 9/200
110	170	170	55	347	90	420	32	26	24	SONL 224-524	TSO 524	ECO 224-524	82	215	22224 EK C 2224 K <sup>1)</sup>	H 3124 H 3124 L	FRB 12/215 FRB 12/215
115	180	180	60	377	100	450	35	28	24	SONL 226-526	TSO 526	ECO 226-526	86	230	22226 EK C 2226 K	H 3126 H 3126 L	FRB 11/230 FRB 11/230
125	190	190	65	415	100	500	42	35	30	SONL 228-528	TSO 528	ECO 228-528	90	250	22228 EK C 2228 K	H 3128 H 3128 L	FRB 11/250 FRB 11/250
135	190	200	65	450	115	540	42	35	30	SONL 230-530	TSO 530	ECO 230-530	93	270	22230 EK C 2230 K	H 3130 H 3130 L	FRB 10/270 FRB 10/270
140	205	215	65	470	120	560	42	35	30	SONL 232-532	TSO 532	ECO 232-532	104	290	22232 EK C 2232 K <sup>1)</sup>	H 3132 H 3132 L	FRB 12/290 FRB 12/290

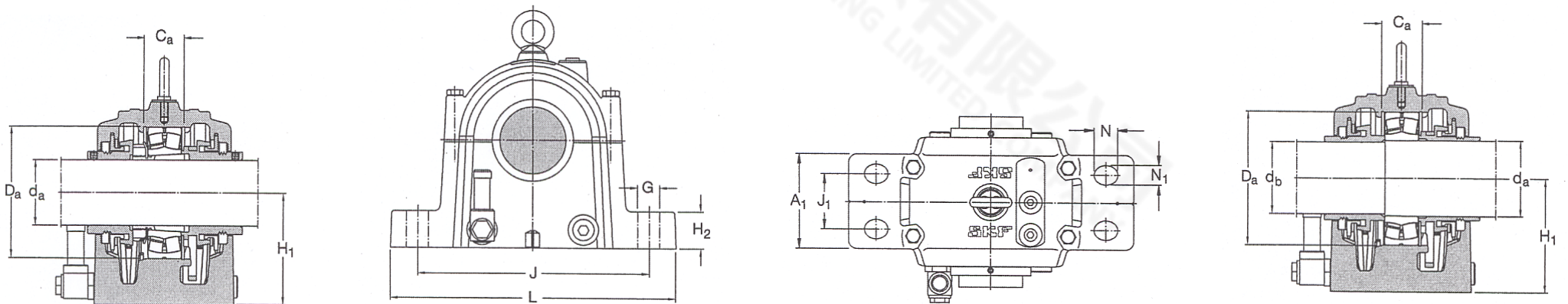
<sup>1)</sup> Please check availability of the bearing before incorporating it in a bearing arrangement design.



## SONL plummer block housings for bearings with cylindrical bore

Shaft $d_a$ [mm]	Housing Dimensions									Designation Housing	Seal 1 per housing	End Cover	Shaft $d_b$ [mm]	Bearing seating		Appropriate bearings and associated components	
	$A_1$ [mm]	$H_1$ [mm]	$H_2$ [mm]	J [mm]	$J_1$ [mm]	L [mm]	N [mm]	$N_1$ [mm]	G [mm]					$C_a$ [mm]	$D_a$ [mm]	Spherical roller bearing CARB bearing	Locating ring 2 per housing
85	110	125	35	290	60	330	28	22	20	SONL 217-517	TSO 217	ECO 217-517	83	46	150	22217 E C 2217	FRB 5/150 FRB 5/150
90	120	135	45	290	70	360	28	22	20	SONL 218-518	TSO 218	ECO 218-518	88	50	160	22218 E C 2218	FRB 5/160 FRB 5/160
100	130	145	50	320	75	400	32	26	24	SONL 220-520	TSO 220	ECO 220-520	98	60	180	22220 E C 2220	FRB 7/180 FRB 7/180
110	145	160	50	347	75	420	32	26	24	SONL 222-522	TSO 222	ECO 222-522	108	71	200	22222 E C 2222	FRB 9/200 FRB 9/200
120	170	170	55	347	90	420	32	26	24	SONL 224-524	TSO 224	ECO 224-524	118	82	215	22224 E C 2224 <sup>1)</sup>	FRB 12/215 FRB 12/215
130	180	180	60	377	100	450	35	28	24	SONL 226-526	TSO 226	ECO 226-526	128	86	230	22226 E C 2226	FRB 11/230 FRB 11/230
140	190	190	65	415	100	500	42	35	30	SONL 228-528	TSO 228	ECO 228-528	138	90	250	22228 E C 2228	FRB 11/250 FRB 11/250
150	190	200	65	450	115	540	42	35	30	SONL 230-530	TSO 230	ECO 230-530	148	93	270	22230 E C 2230	FRB 10/270 FRB 10/270
160	205	215	65	470	120	560	42	35	30	SONL 232-532	TSO 232	ECO 232-532	158	104	290	22232 E C 2232 <sup>1)</sup>	FRB 12/290 FRB 12/290

<sup>1)</sup> Please check availability of the bearing before incorporating it in a bearing arrangement design.



Oud incl. vilt-afdichting	Nieuw type	Type afdichting	Beschikbaarheid
SN 3024	SNLN 3024	TSN 3024 G TSN 3024 A TSN 3024 C TSN 3024 S TSN 3024 ND	Juni 2006
SN 3024 H	SNLN 3024	TSN 224 G TSN 224 A TSN 224 C TSN 224 S TSN 224 ND	Juni 2006
SN 3026	SNLN 3026	TSN 3026 G TSN 3026 A TSN 3026 C TSN 3026 S TSN 3026 ND	September 2006
SN 3026 H	SNLN 3026	TSN 226 G TSN 226 A TSN 226 C TSN 226 S TSN 226 ND	September 2006
SN 3028	SNLN 3028	TSN 3028 G TSN 3028 A TSN 3028 C TSN 3028 S TSN 3028 ND	Aanvankelijk 22 werkweken na bestelling
SN 3028 H	SNLN 3028	TSN 228 G TSN 228 A TSN 228 C TSN 228 S TSN 228 ND	Aanvankelijk 22 werkweken na bestelling
SN 3030	SNLN 3030	TSN 3030 G TSN 3030 A TSN 3030 C TSN 3030 S TSN 3030 ND	Juni 2006
SN 3030 H	SNLN 3030	TSN 230 G TSN 230 A TSN 230 C TSN 230 S TSN 230 ND	Juni 2006
SN 3032	SNLN 3032	TSN 3032 G TSN 3032 A TSN 3032 C TSN 3032 S TSN 3032 ND	Aanvankelijk 22 werkweken na bestelling
SN 3032 H	SNLN 3032	TSN 232 G TSN 232 A TSN 232 C TSN 232 S TSN 232 ND	Aanvankelijk 22 werkweken na bestelling
SN 3034	SNLN 3034	TS 34 TNF 34	Aanvankelijk 22 werkweken na bestelling
SN 3034 H	SNLN 3034 G	TS 40 TNF 40	Aanvankelijk 22 werkweken na bestelling